



Voss Hydraulic Lift Systems for

- Loading
- Unloading
- Heavy mounting
- Handling in confined spaces

Single cylinder, 3 stages with hydraulic lock up and automatic emergency operation valve for a maximum of safety

Laser guided height control

Various lifting gears for any kind of loads

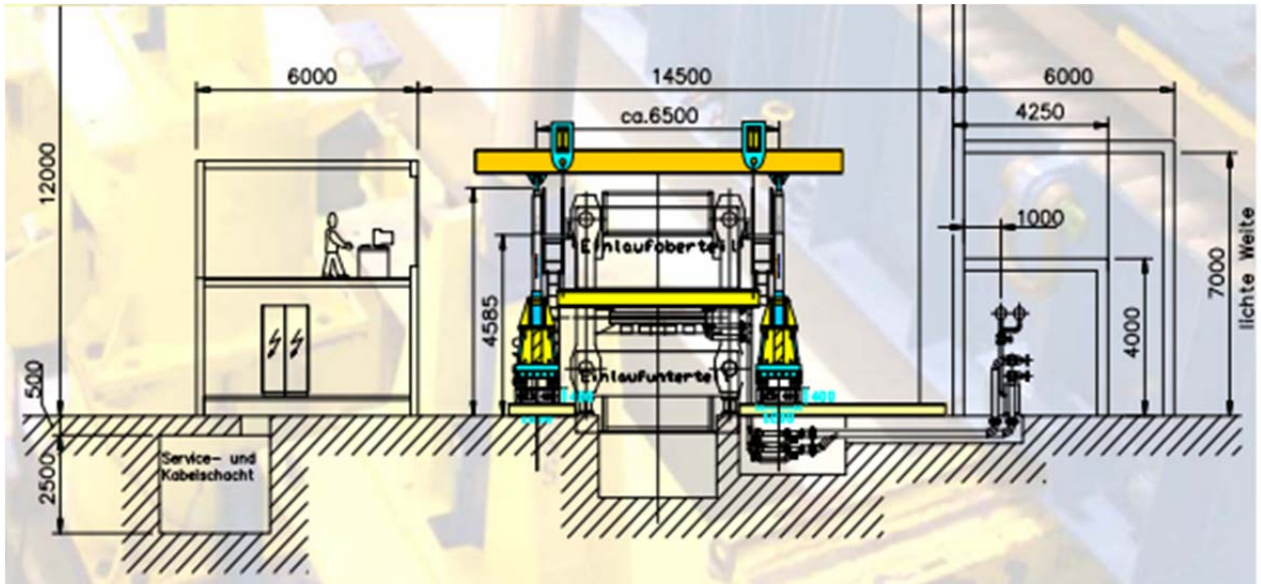


Tracks with step less transitions for a smooth relocation without jerking in a longitudinal direction

Modular and compact designed equipment

Individual alignment for any necessary lifting height

Moving in a longitudinal direction as well as transverse (equipped with side –shift option)



Professional planning – Professional realization



